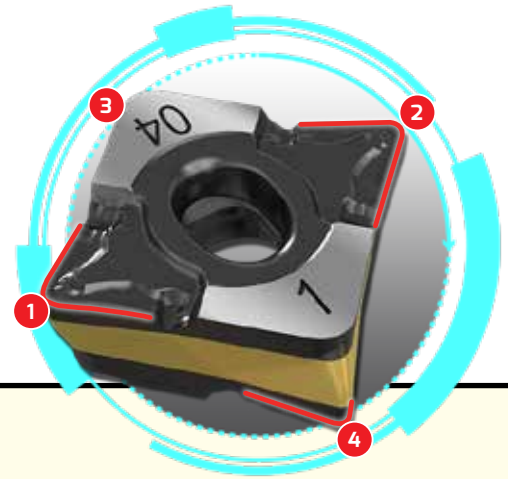


Double-Sided Insert with 4 Positive Cutting Edges

ISCAR offers new double-sided inserts with 4 unique cutting edges as an advantageous alternative to the conventional ISO standard positive inserts with 2 cutting edges.



Purchase

20 CXMG 09... Assorted Inserts

Receive 50% Additional Discount

on the Corresponding External Holder

Use Promo Code: T2309

* JHP Holders are not included



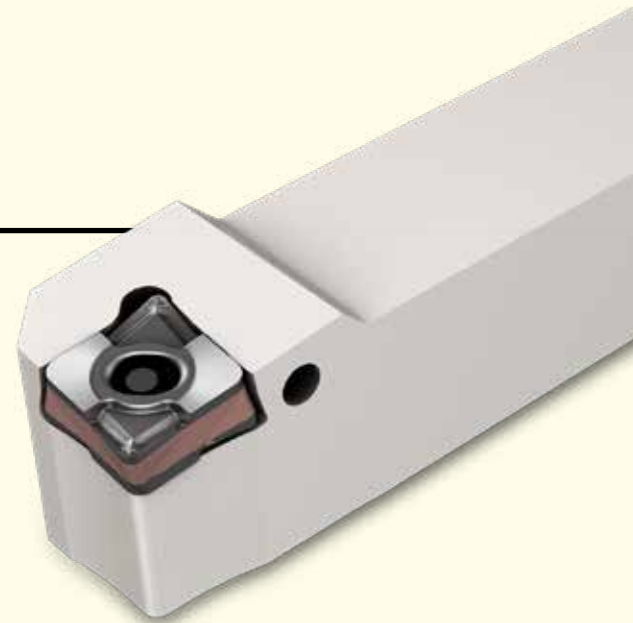
Purchase

30 CXMG 09... Assorted Inserts

Receive Corresponding External Holder Free of Charge

Use Promo Code: T2309

* JHP Holders are not included



Purchase

30 CXMG 09... Assorted Inserts

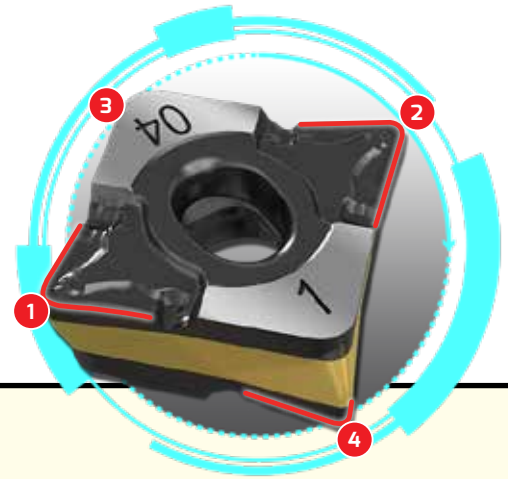
Receive 50% Additional Discount

on the Corresponding Internal Holder

Use Promo Code: T2309

Double-Sided Insert with 4 Positive Cutting Edges

ISCAR offers new double-sided inserts with 4 unique cutting edges as an advantageous alternative to the conventional ISO standard positive inserts with 2 cutting edges.



Purchase

20 CXMG 12... Assorted Inserts

Receive 50% Additional Discount

on the Corresponding External Holder

Use Promo Code: T2310

* JHP Holders are not included



Purchase

30 CXMG 12... Assorted Inserts

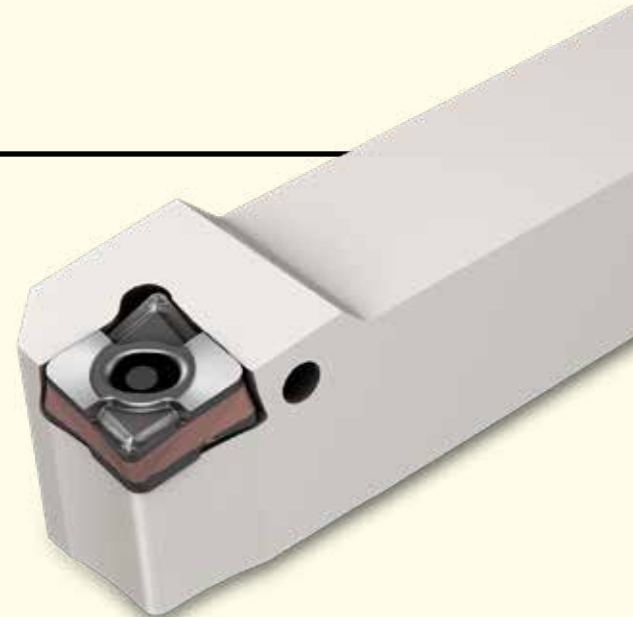
Receive

Corresponding External Holder

Free of Charge

Use Promo Code: T2310

* JHP Holders are not included



Purchase

30 CXMG 12... Assorted Inserts

Receive 50% Additional Discount

on the Corresponding Internal Holder

Use Promo Code: T2310